



Vintage Auto Garage  
 info@vintageautogarage.com  
 800-516-4461

TO IGNITION SWITCH "ACC" TERMINAL  
 (BLACK 18 AWG WIRE INCLUDED IN HARNESS KIT)  
 WHERE IGN SWITCH HAS NO "ACC" TERMINAL, FOLLOW DASHED CONNECTION TO COIL +

TO IGNITION SWITCH "IGN" TERMINAL

TO START SOLENOID "BAT" TERMINAL  
 (BLACK 14 AWG WIRE INCLUDED IN HARNESS KIT)

WHITE

BLUE

RED

ODR6 / ODR12  
 OVERDRIVE RELAY MODULE

4-WIRE CONNECTION SHOWN  
 SEE REVERSE FOR THESE OTHER CONNECTION TYPES:  
 3-WIRE (NO CONNECTION TO BATTERY)  
 ORIGINAL OR REPRODUCTION RELAY  
 VRODS1 12-TO-6 VOLT ADAPTER & RELAY MODULE

OVERDRIVE KICKDOWN SWITCH

RED

WHITE

ORANGE

YELLOW

OVERDRIVE SOLENOID

CHASSIS GROUND

4

BLUE

6

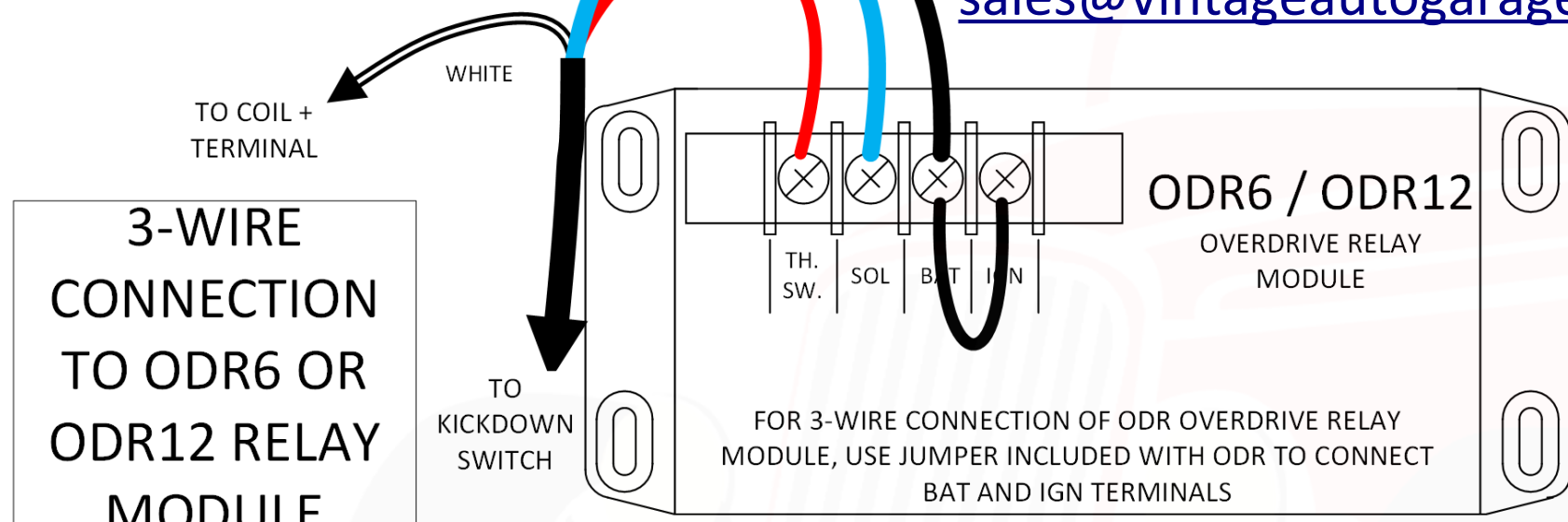
ORANGE

OVERDRIVE GOVERNOR

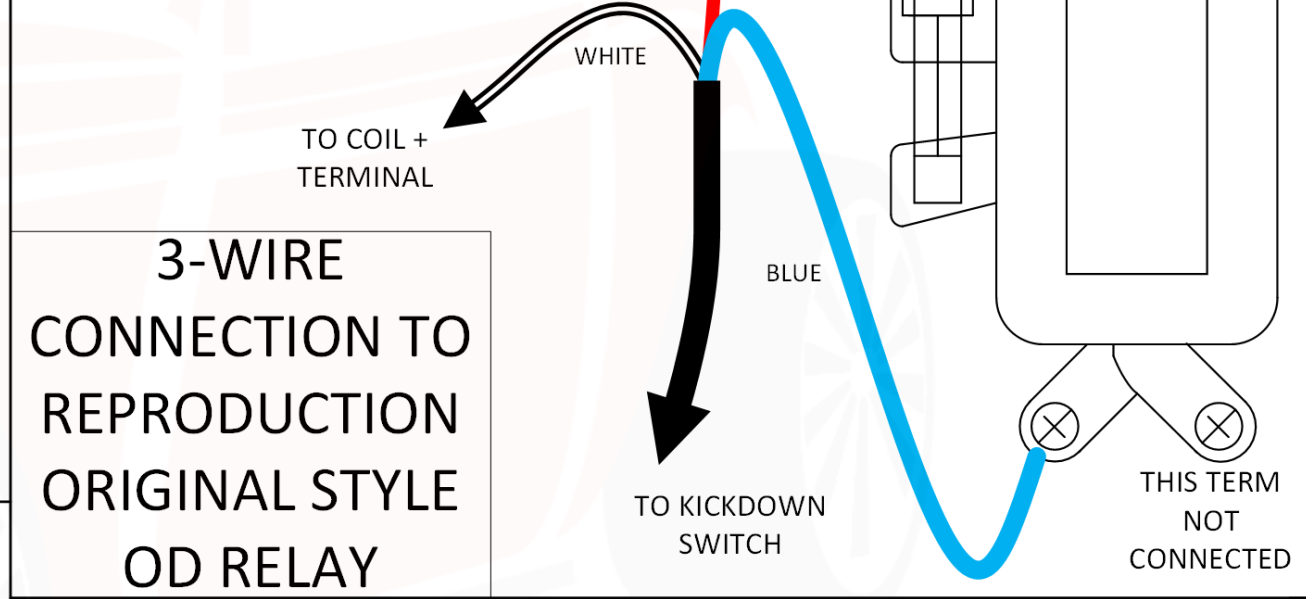
OVERDRIVE SHIFT RAIL LOCKOUT SWITCH  
 \*IF NOT PRESENT, CONNECT YELLOW WIRE TO GOVERNOR

# BORG-WARNER OD HARNESS INSTALLATION DIAGRAM

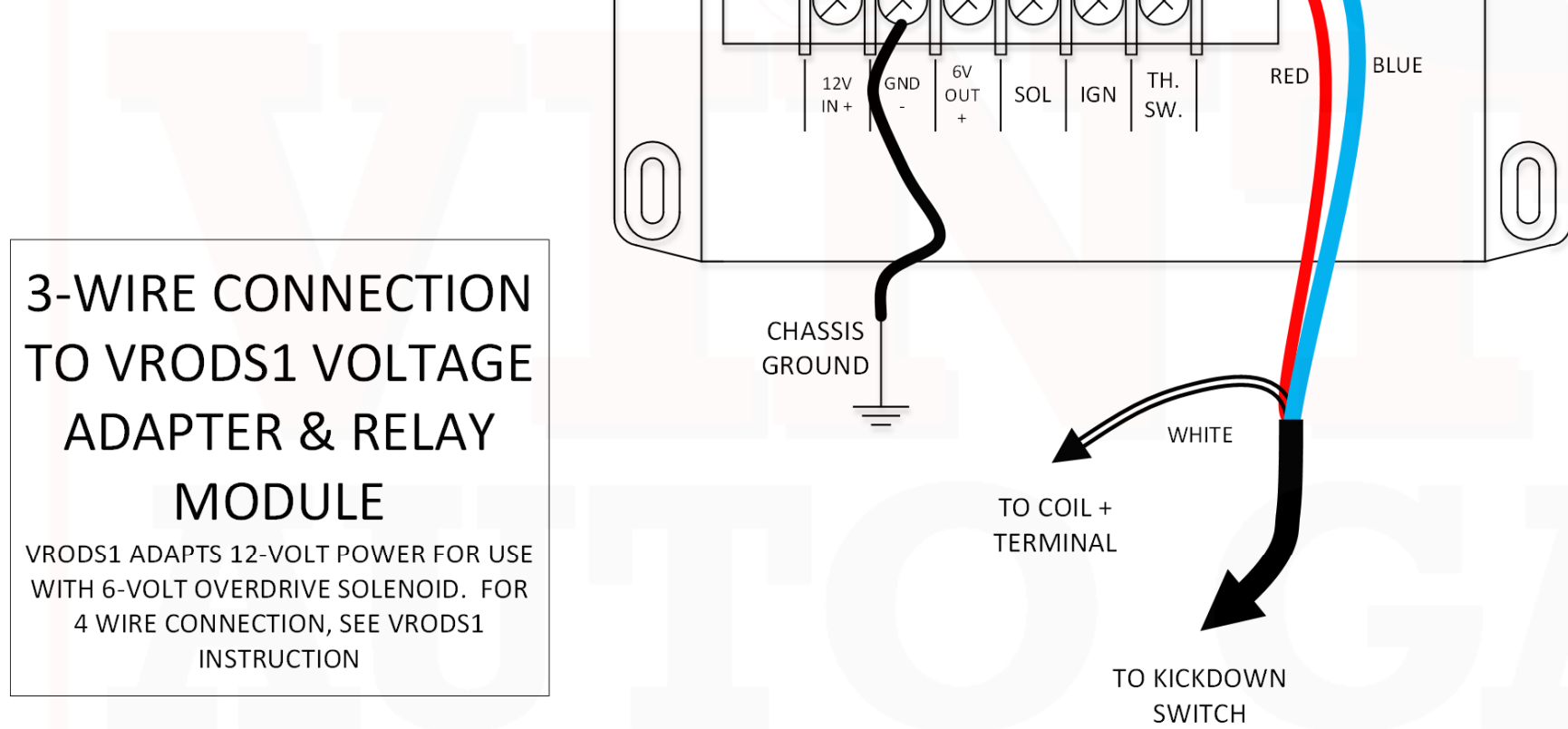
TO IGNITION SWITCH "ACC" TERMINAL  
 (BLACK 14 AWG WIRE INCLUDED IN  
 HARNESS KIT) WHERE IGNITION SWITCH  
 HAS NO "ACC" TERMINAL, CONNECT  
 TO IGNITION SWITCH "IGN" TERMINAL



TO IGNITION SWITCH "ACC" TERMINAL  
 (BLACK 14 AWG WIRE INCLUDED IN  
 HARNESS KIT) WHERE IGNITION SWITCH  
 HAS NO "ACC" TERMINAL, CONNECT  
 TO IGNITION SWITCH "IGN" TERMINAL



TO IGNITION SWITCH "ACC" TERMINAL  
 (BLACK 14 AWG WIRE INCLUDED IN  
 HARNESS KIT) WHERE IGNITION SWITCH  
 HAS NO "ACC" TERMINAL, CONNECT  
 TO IGNITION SWITCH "IGN" TERMINAL



TO START SOLENOID "BAT" TERMINAL  
 (BLACK 14 AWG WIRE INCLUDED IN HARNESS KIT)

